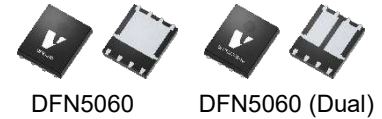


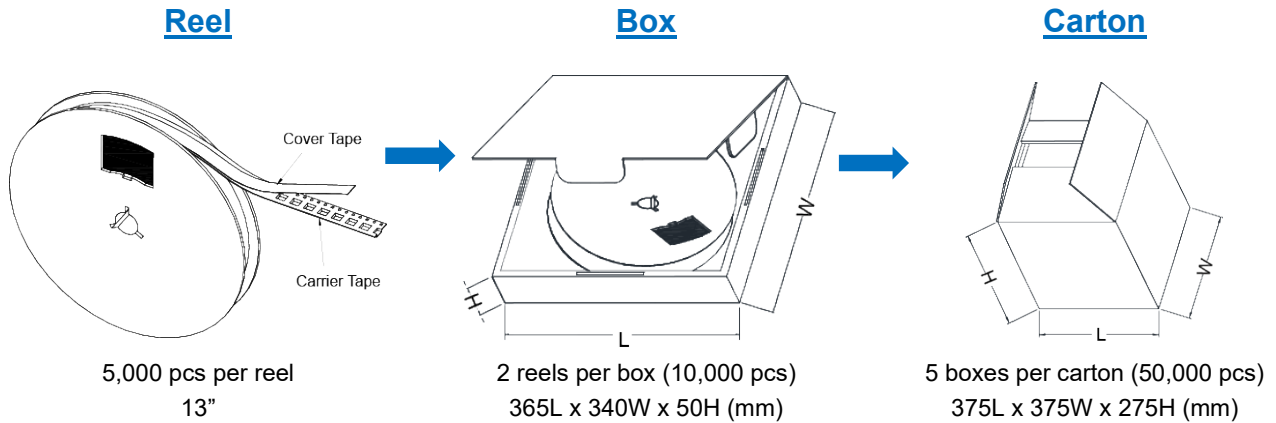
# Packaging Specification of DFN5060 & DFN5060 (Dual)



Design Viitor into your FUTURE



1. The method of packaging and dimension are shown as below figure.



## EMBOSSED TAPE AND REEL ORDERING INFORMATION

Package	Tape Width (mm)	Pitch		Reel Size		Per Reel Packing Quantity
		mm	inch	mm	inch	
DFN5060 DFN5060 (Dual)	12	8 ± 0.1	0.315 ± 0.004	330	13	5,000

## 2. Label

2.1 The information of inner box label must be listed: (Description of a sample label)



MSL:  
RoHS Compliant  
P/C:

LOT:	Wafer Number
Part No:	Viitor Part Number
QTY:	Quantity
Date Code:	The first two digits indicate the year while the 3rd and 4th digits indicate the week of manufacture
Customer P/N:	Customer Part Number
P/O#:	Customer Purchase Order Number

2.2 The information of carton label must be listed:

2.2.1 TYPE

2.2.2 QTY